



PRODUCT INFORMATION

VS ENVI[®] WATER

TWO IN ONE: YOUR UNDER- SINK CABINET, REORGANISED

Intelligent water treatment systems with special fittings are rising in popularity. Quooker, the tap that can do everything, is the definitive example of this. But then where do you put your waste sorting system, which often goes in the cabinet under the

sink? To maximise this valuable space, Vauth-Sagel has developed an innovative solution that kills two birds with one stone – a water reservoir and convenient waste solution, combined in one system.

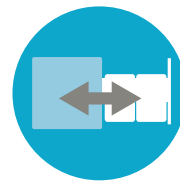
The advantages of the VS ENVI® Water combined solution at a glance:



Flexibly organised,
convenient waste solution



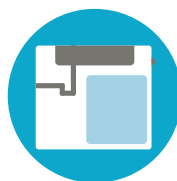
VS ENVI® Space waste sorting system,
optionally with one or several containers



Smooth, durable sliding technology



Additional shelf and odour protection,
thanks to metal cover plate



Optimal use of space in the
cabinet under the sink



Robust, precise construction
Made in Germany

■ ■ VS ENVI® WASTE BIN SYSTEMS | VS ENVI® WATER



ALL TOGETHER IN A COMPACT SPACE

The combined solution is suitable for Quooker* and comparable water treatment systems with the same dimensions.

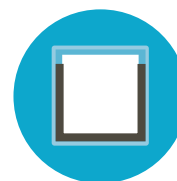
Convenient installation with guaranteed stability



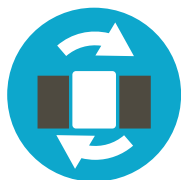
Quick, easy and flexible installation



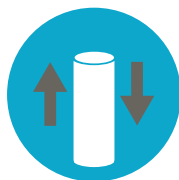
Integrated hose and cable management



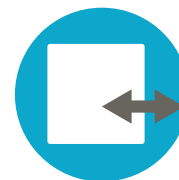
Secure fastening on the side wall and subfloor of the base cabinet; the system remains securely in place, even when waste bins are pulled out



Positioning of the reservoir to the left or right of the waste sorting system



Simple replacement of the CO₂ cylinder



Can also be connected in front of the cabinet using optional extension hoses.**

* The Quooker is not part of the system
** The extension hoses required for this can be ordered directly from Quooker.



Double compartment
Pictured: lava



Single compartment
Pictured: lava

Technical details

Compatible with the boiling water reservoir **CUBE / Quooker Pro3**

Base cabinet widths: 600, 800, 1000 mm

Installation height of ENVI: 362 mm/462 mm, System Quooker: 488 mm

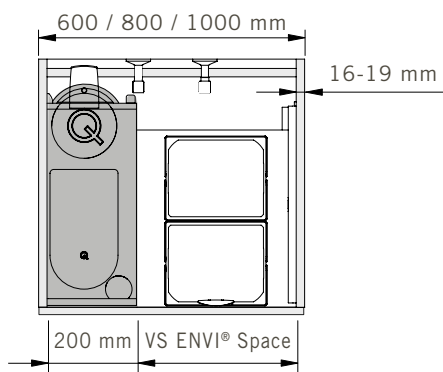
Installation depth of ENVI system: ENVI: 464 mm, System Quooker: 500 mm

NEW:

Base cabinet width: 600 mm

Compatible with the boiling water reservoir **CUBE / Quooker Pro3 | CUBE / Quooker Combi | CUBE / Quooker Combi +**

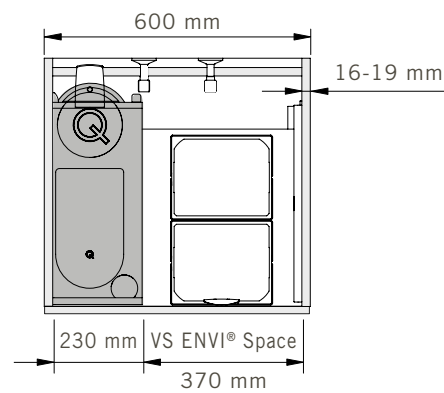
VS ENVI® WATER



VS ENVI® Water

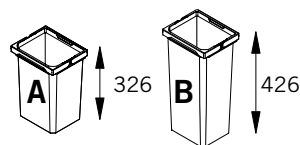
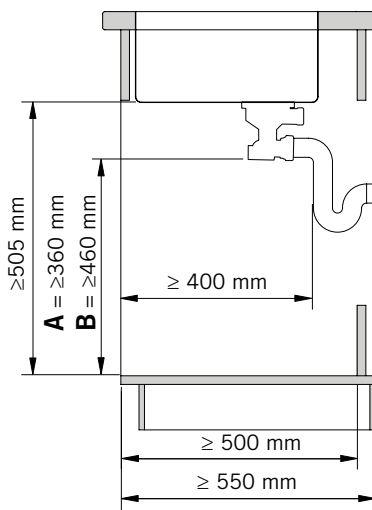
200 mm + VS ENVI® Space 400 / 600 / 800 mm

VS ENVI® WATER PLUS



VS ENVI® Water Plus

230 mm + VS ENVI® Space 370 mm



Colours:



lava



silver



FURTHER INFORMATION AS WELL AS INSTALLATION INSTRUCTIONS AND VIDEOS:

WWW.VAUTH-SAGEL.COM

CONTACT: VS@VAUTH-SAGEL.COM

LAST UPDATED APRIL 2023

© BY VAUTH-SAGEL | ALL RIGHTS RESERVED

