

VS  
COR

PRODUCT INFORMATION

# CORNERSTONE MAXX

# THE FINEST SOLUTION FOR GETTING THE MOST OUT OF EVERY CORNER

What is it that you want when you open a corner cabinet? You certainly don't want to have to crawl into it. Or to have the tray slide out towards you only to have it block the neighbouring

cabinet. We could imagine that you want CORNERSTONE MAXX. The innovative system delivers all of the contents to you directly in front of the cupboard, without blocking the neighbouring

cabinet. The perfect solution for having a clear view, easy access and tidy storage. The CORNERSTONE MAXX with its aesthetic appeal and functional design has won multiple awards.



▲ The German Design Award is given to winners whose ideas and solutions are pioneering in the German and international design landscape.



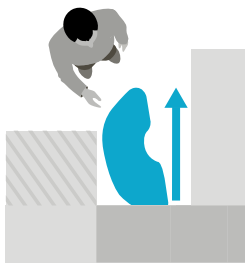
▲ With the Universal Design Awards, companies are honoured for products which are easy and intuitive and can be used by all generations.



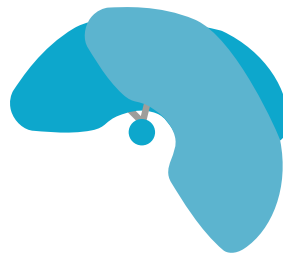
# A NEW DIMENSION OF USE

Here is where you will find all the advantages you have with CORNERSTONE MAXX at a glance. A corner cabinet solution has never been so easy and convenient.

## Maximum comfort for all users



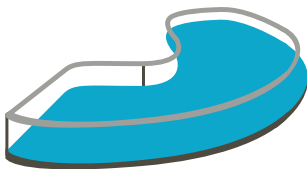
The content comes out directly in front of the cupboard, without blocking the neighbouring cabinet, for easily putting away dishes straight out of the dishwasher. Also for barrier-free access.



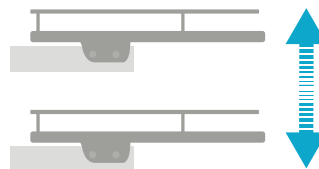
The trays have more usable surface area and maximise storage space. They can be moved independently of each other for optimal access.



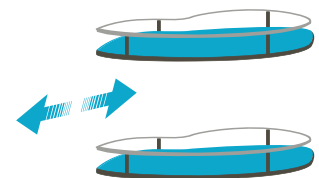
Each tray can hold up to 25 kg of weight – enabling the storage of large stacks of plates or heavy pots and pans.



The floating design without any visible contact points provides a clean appearance within the cupboard.



CORNERSTONE MAXX has fully adjustable trays, even after installation. Providing flexibility for all size and shapes of those items that require storage.

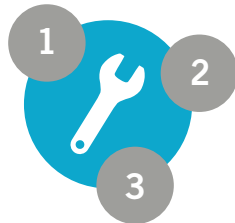


Effortless and soft opening and closing thanks to automatic, movement-damping trays.

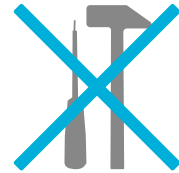
Maximum comfort of installation for all manufacturers



Fewer parts – less warehousing: the system consists of just three parts for all cupboard sizes.



Saves a high amount of time thanks to three installation steps.



Toolless installation of the trays on the centre pole with EasyFit.



**PAM**  
POWER  
ASSISTED  
MOVEMENT

Accessing and returning trays is made simple for the user, thanks to a two-sided power mechanism.

# INDIVIDUALITY FOR EVERYONE

Style is a matter of taste. And because we know this, we offer CORNERSTONE MAXX with two different edge designs and in various colours. So you can find the style that best matches your kitchen.

---

## Design borders



CORNERSTONE MAXX Planero



CORNERSTONE MAXX Rail

---

## Colour combinations (sides \ bottom)

### Planero



Lava Grey \ Lava Grey



Champagne \ Champagne



Silver \ White



Silver \ Grey

---

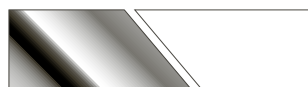
### Rail



Lava Grey \ Lava Grey



Champagne \ Champagne



Chrome \ White



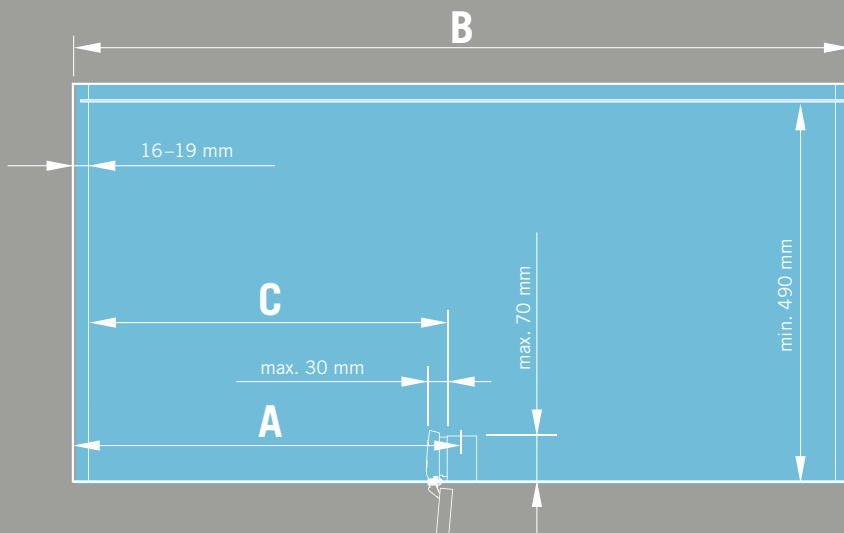
Silver \ Grey



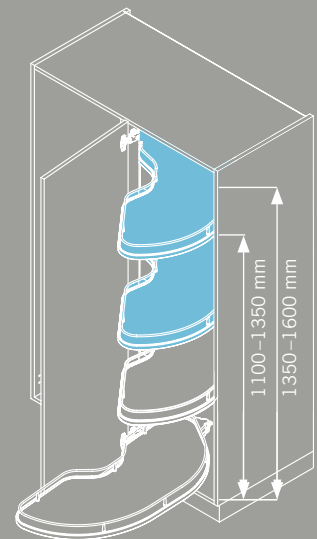
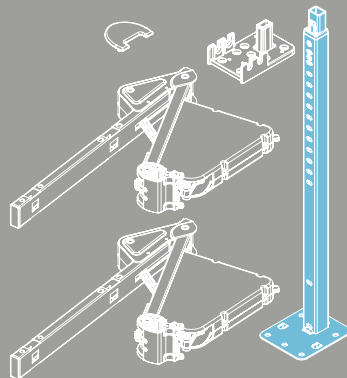
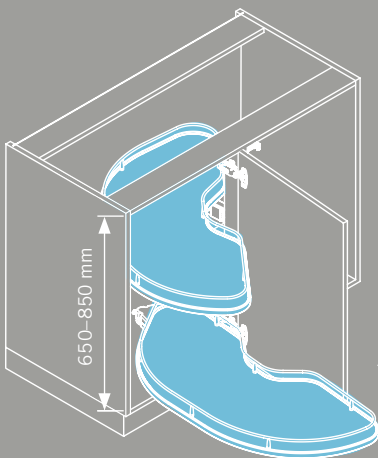
Silver \ Speckled Grey

# FITS INTO ANY CORNER

## Dimensions



A	B min.	C
400	800	min. 361
450	900	min. 411
500	1000	min. 461
600	1000	min. 561



CORNERSTONE MAXX can be installed on the left or right and is also available with three or four trays.

Three trays: The centre pole for inside the cupboard has a height of 1,100 mm, extendable to 1,350 mm.

Four trays: The centre pole for inside the cupboard has a height of 1,350 mm, extendable to 1,600 mm.



MORE INFORMATION: [WWW.VAUTH-SAGEL.COM](http://WWW.VAUTH-SAGEL.COM)

CONTACT: [VS@VAUTH-SAGEL.DE](mailto:VS@VAUTH-SAGEL.DE)

AS OF SEPTEMBER 2018 | © BY VAUTH-SAGEL | ALL RIGHTS RESERVED

